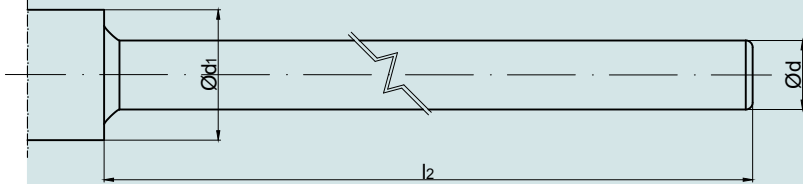


Smooth bulb attachment (withouth Thread)



Nominal Diameter	Dimensions in mm	
DN	Ød ₁	Ød
80, 100, 150 Back	80	14
80, 100, 150 Radial	80	14
80, 100, 150 Every Angle	80	14

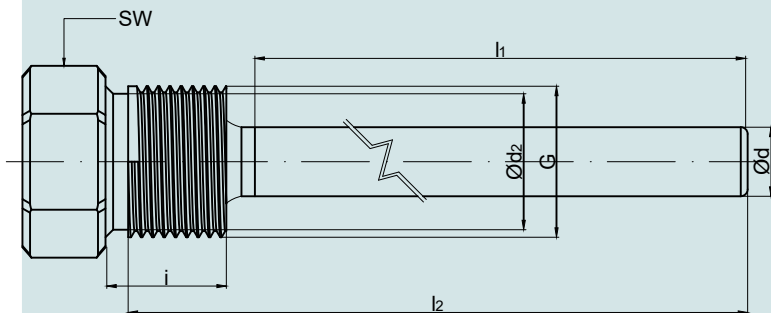
Legend:

Ød Diameter of the thermometer bulb

Ød₁ Diameter of the shoulder

l₂ Length of the thermometer stem

Fixed threaded connection 1/2" GAS male



Nominal Diameter	Attack on the process	Dimensions in mm			
DN	G	i	SW	Ød ₂	Ød
80, 100, 150 Back	G ½" B	16	22	18	6; 8; 9
80, 100, 150 Radial	G ½" B	16	22	18	6; 8; 9
80, 100, 150 Every Angle	G ½" B	16	22	18	6; 8; 9

Legend:

Ød Diameter of the thermometer bulb

Ød₂ Diameter of the spacer between hexagon and thread

l₁ Length under thread

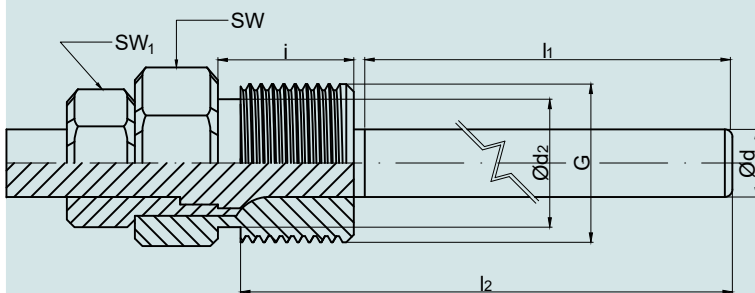
i Thread length (incl. collar)

SW Wrench dimensions

l₂ Length including thread

G Thread 1/2" GAS male

GAS Male Swivel and Sliding Fitting



Nominal Dimensions	Attack on process	Dimensions in mm			
DN	G	i	SW/SW ₁	Ød ₂	Ød
80, 100, 150 Back	G ½" B	16	25/17	18	6; 8; 9
80, 100, 150 Radial	G ½" B	16	25/17	18	6; 8; 9
80, 100, 150 Every Angle	G ½" B	16	25/18	18	6; 8; 9

Legend:

Ød Diameter of the thermometer bulb

Ød₂ Diameter of the spacer between hexagon and thread

l₁ Length under thread

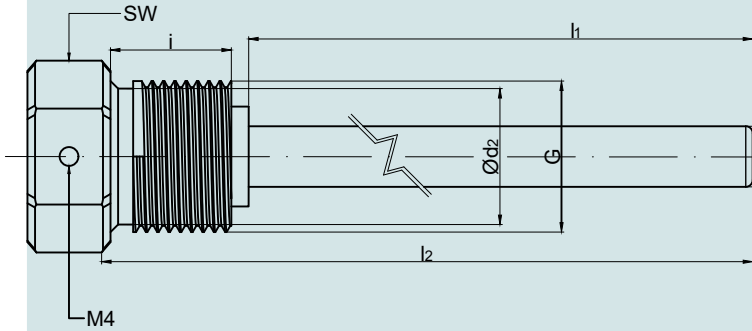
i Thread length (incl. collar)

SW Wrench dimensions

l₂ Length including thread

G Thread 1/2" GAS male

Swivel Connection 1/2" GAS Male



Nominal Diameter DN	Attack on process		Dimensions in mm		
	G	i	SW	Ød ₂	Ød
80, 100, 150 Back	G 1/2" B	13	22	18	6; 8; 9
80, 100, 150 Radial	G 1/2" B	13	22	18	6; 8; 9
80, 100, 150 Every Angle	G 1/2" B	13	22	18	6; 8; 9

Legend:

Ød Diameter of the thermometer bulb

Ød₂ Diameter of the spacer between hexagon and thread

l₁ Length under thread

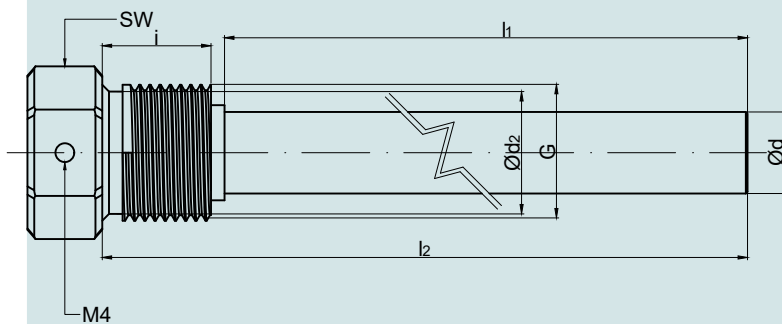
i Thread length (incl. collar)

SW Wrench size

l₂ Length including thread

G Thread 1/2" GAS male

Connection with extractable well 1/2" GAS Male to the process



Nominal diameter DN	Attack on process		Dimensions in mm		
	G	i	SW	Ød ₂	Ød
80, 100, 150 Back	G 1/2" B	14	22	18	12
80, 100, 150 Radial	G 1/2" B	14	22	18	12
80, 100, 150 Every Angle	G 1/2" B	14	22	18	12

Legend:

Ød Diameter of the thermometer bulb

Ød₂ Diameter of the spacer between hexagon and thread

l₁ Length under thread

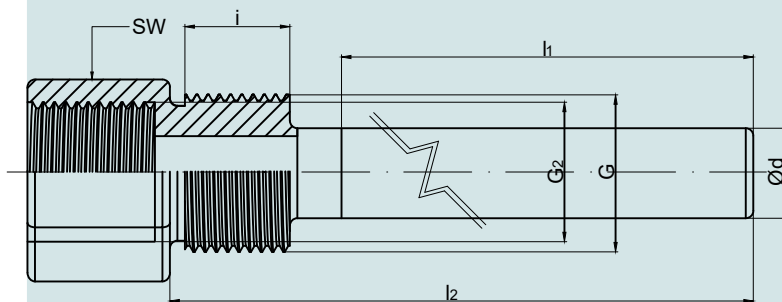
i Thread length (incl. collar)

SW Wrench size

l₂ Length including thread

G Thread 1/2" GAS male

Connection with extractable well 1/2" GAS Female to the thermometer and 1/2" GAS Male to the process



Nominal diameter DN	Attack on process		Dimensions in mm		
	G	G ₂	i	SW	Ød
80, 100, 150 Back	G 1/2" B	G 1/2"	14	25	12
80, 100, 150 Radial	G 1/2" B	G 1/2"	14	25	12
80, 100, 150 Every angle	G 1/2" B	G 1/2"	14	25	12

Legend:

Ød Diameter of the thermometer bulb

l₁ Length under thread

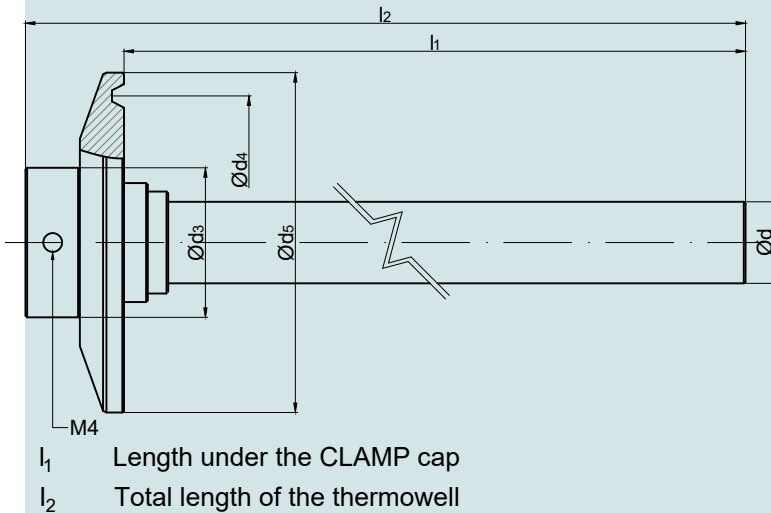
i Thread length (incl. collar)

SW Wrench size

l₂ Length including thread

G Thread 1/2" GAS male; G₂ thread 1/2" GAS Female

Connection with removable thermowell Clamp 1" 1/2

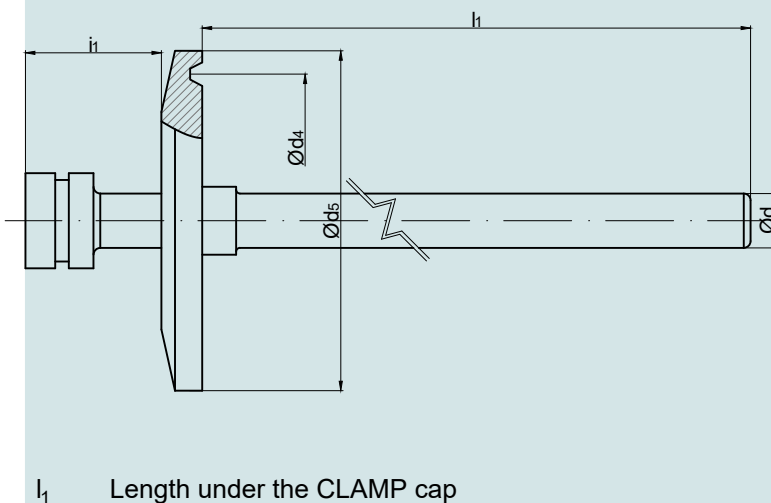


Nominal diameter DN	Dimensions in mm		
	$\varnothing d_5$	$\varnothing d_3$	$\varnothing d$
80, 100, 150 Back	50,5	22	12
80, 100, 150 Radial	50,5	22	12
80, 100, 150 Every angle	50,5	22	12

Legend:

- $\varnothing d$ Diameter of the thermowell
- $\varnothing d_3$ Diameter of the spacer
- $\varnothing d_4$ Inside diameter of the CLAMP cap
- $\varnothing d_5$ Outside diameter of the CLAMP cap

Connection with Clamp cap 1" 1/2 welded to the bulb

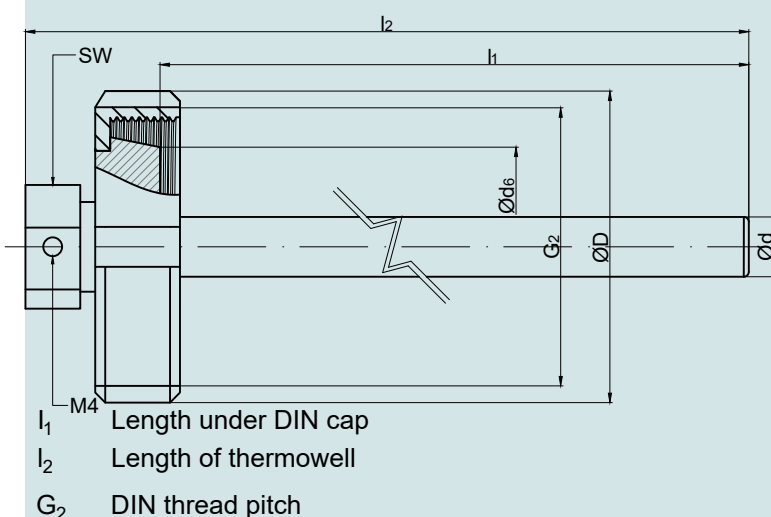


Nominal diameter DN	Dimensions in mm			
	i_1	$\varnothing d_5$	$\varnothing d_4$	$\varnothing d$
80, 100, 150 Back	On Request	50,5	43	6; 8; 9
80, 100, 150 Radial	On Request	50,5	43	6; 8; 9
80, 100, 150 Every angle	On Request	50,5	43	6; 8; 9

Legend:

- $\varnothing d$ Diameter of the thermometer bulb
- i_1 Extension (distance between the thermometer case and the CLAMP cap)
- $\varnothing d_4$ Inside diameter of the cap CLAMP
- $\varnothing d_5$ External diameter of CLAMP cap

DIN 11851 Male Removable Sanitary thermowell Connection - Swivel



Nominal diameter DN	Dimensions in mm				
	$\varnothing G_2$	$\varnothing D$	SW	$\varnothing d_6$	$\varnothing d$
80, 100, 150 Back	15	RD 46 x 1/6	42	25	28
	25	RD 52 x 1/6	63	25	45
	40	RD 65 x 1/6	78	25	55
	50	RD 68 x 1/6	92	25	67,5
80, 100, 150 Radial	15	RD 46 x 1/6	42	25	28
	25	RD 52 x 1/6	63	25	45
	40	RD 65 x 1/6	78	25	55
	50	RD 68 x 1/6	92	25	67,5
80, 100, 150 Every angle	15	RD 46 x 1/7	42	25	28
	25	RD 52 x 1/7	63	25	45
	40	RD 65 x 1/7	78	25	55
	50	RD 68 x 1/7	92	25	67,5

Legend:

- $\varnothing D$ External diameter of the Swivel
- $\varnothing d$ Diameter of the thermowell
- $\varnothing d_6$ External diameter of the DIN cap
- SW Wrench dimensions